



16778 146th Street, SE, Suite. 140, Monroe, WA 98272  
 Phone: (800) 438-4026 Fax: (800) 833-9231  
 Email: info@amkspeaker.com  
 Website: www.amkspeaker.com

AMK Commercial Series

## PA 440

4" Full Range Loudspeaker



The AMK PA-440 loudspeaker is a full range low distortion transducer. Its remarkably wide bandwidth makes it excellent for space limited applications where a small speaker is required. This unit can be used for foreground, background, or sound masking applications. High efficiency as well as high power handling and excellent speech and music intelligibility make this speaker suitable for a wide range of applications.

### Features:

- ♦ Treated Paper Cone
- ♦ Dust cap glued to Voice Coil to give better response
- ♦ Best for Sound Masking System

### Related Accessories:

Transformers: 70V or 25V Line of Transformers

Recommended Backbox: BC4-4 or BC4-7

Baffle: 4MRG

Tile Bridge: TB4R

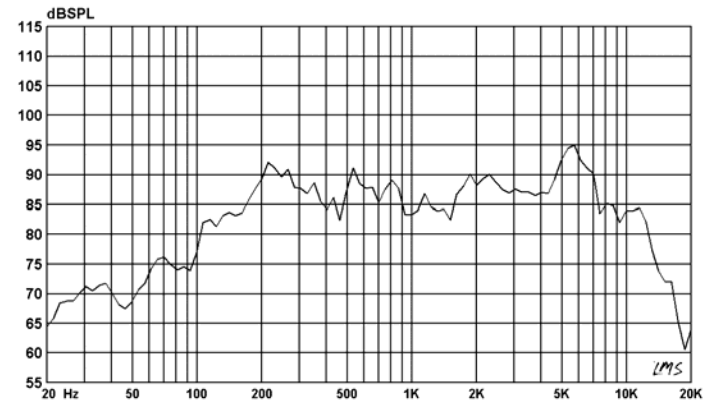
### Specifications

Frequency Response	100 Hz – 16 kHz
Power Handling	40 watts
Impedance	8 ohms
Sound Pressure level (1w/1m)	88 dB Averaged
Voice-coil diameter	1"
Average Beamwidth @ 2 kHz	180°
Fo	100 Hz
Qts	0.73
Vas	.11 ft <sup>3</sup>
Re	7 ohm
Xmax	1.65 mm
Magnet Weight	10 oz
Magnet Material	Barium Ferrite
Woofer Cone	Treated Paper
Surround Material	Cloth-roll

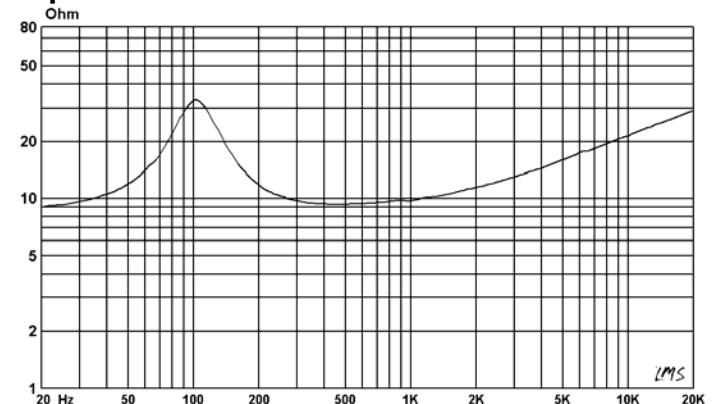
### Physical Constants

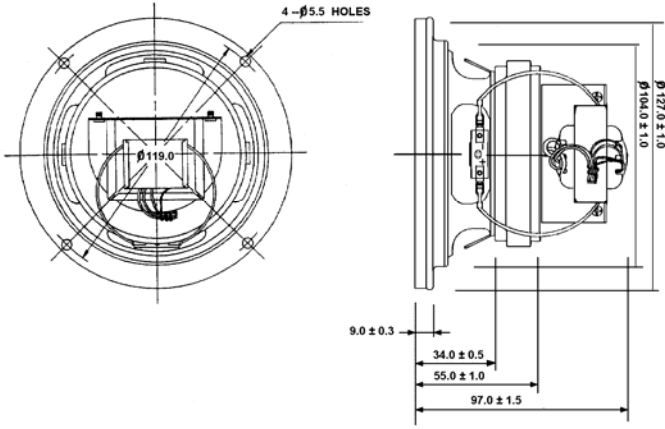
Depth	2 1/8"
Width	5"
Mounting	4 holed equally spaced 4 <sup>3</sup> / <sub>4</sub> "
Voice Coil Material	Copper
Voice Coil Former	Aluminum
Speaker Frame	22 ga Stamped Steel
Frame Paint	Black Zinc
Net Weight	1.72 lbs
Shipping Weight	2.00 lbs

### Frequency Response



### Impedance Curve





### Architect's and Engineer's Specifications

The speaker shall be the AMK 4" loudspeaker Model PA 440 or loudspeaker / transformer combination Model TA440-\_\_\_\_\_ (utilizing AMK line-matching transformer Model T\_\_\_\_\_). The loudspeaker shall be a full 5" (127mm) in diameter. The power handling of the unit shall be 40W.

The woofer shall have a 10 oz. Barium Ferrite magnet. The unit's frequency response range shall be 100 Hz to 16 kHz (+/- 7dB). The unit's sensitivity shall be 88dB at 1 watt / 1 meter. Voice coil impedance shall be 8 ohms. The woofer cone material of the loudspeaker unit shall be treated paper. The surround of the loudspeaker unit shall be pleated cloth.

Transformer primary voltage shall be \_\_\_\_\_ (25V, 70.7V, 70/25) with a frequency response range of \_\_\_\_\_ and power taps at \_\_\_\_\_ watts. Insertion loss shall not exceed \_\_\_\_\_ dB.

The maximum depth of the loudspeaker shall not exceed 2.1" (54mm). The unit's total weight shall not exceed 1.72 lbs (0.78 kg).

The loudspeaker shall be AMK Innovations model PA440.

**Conforms to EIA Standards:  
RS-276-A, RS-278-B, RS-426-A**

### Polar Responses

